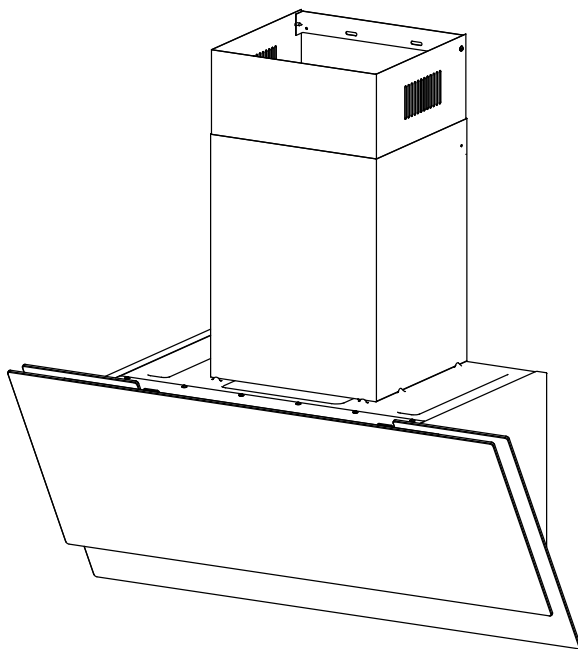


svan

USER MANUAL COOKER HOOD

SCPD600AN
SCPD600AB
SCPD900AN
SCPD900AB



Read this manual carefully and keep it for future reference.

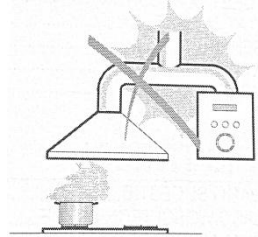
RECOMMENDATIONS AND SUGGESTIONS



The instructions for Use apply to several versions of this appliance. Accordingly, you may find descriptions of individual features that do not apply to your specific appliance.

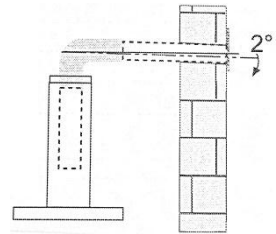
INSTALLATION

- The manufacturer will not be held liable for any damages resulting from incorrect or improper installation.
- The minimum safety distance between the cooker top and the extractor hood is 650 mm (some models can be installed at a lower height, please refer to the paragraphs on working dimensions and installation).
- Check that the mains voltage corresponds to that indicated on the rating plate fixed to the inside of the hood.
- For Class I appliances, check that the domestic power supply guarantees adequate earthing.
- Connect the extractor to the exhaust flue through a pipe of minimum diameter 120mm. The route of the flue must be as short as possible.
- Do not connect the extractor hood to exhaust ducts carrying combustion flumes (boilers, fireplaces, etc.).
- If the extractor is used in conjunction with non-electrical appliances (e.g. gas burning appliances), a sufficient degree of aeration must be guaranteed in the room in order to prevent the backflow of exhaust gas. The kitchen must have an opening communicating directly with the open air in order to guarantee the entry of clean air. When the cooker hood is used in conjunction with appliances supplied with energy other than electric, the negative pressure in the room must not exceed 0,04 mbar to prevent fumes being drawn back into the room by the cooker hood.
- In the event of damage to the power cable, it must be replaced by the manufacturer or by the technical service department, in order to prevent any risks.
- If the instructions for installation for the gas hob specify a greater distance specified above, this has to be taken into account. Regulations concerning the discharge of air have to be fulfilled.



USE


- The extractor hood has been designed exclusively for domestic use to eliminate kitchen smells.
- Never use the hood for purposes other than for which it has been designed.
- Never leave high naked flames under the hood when it is in operation.
- Adjust the flame intensity to direct it onto the bottom of the pan only, making sure that it does not engulf the sides.
- Deep fat fryers must be continuously monitored during use: overheated oil can burst into flames.
- Do not flame under the range hood; risk of fire.
- This appliance can be used by children aged from 8 years and above and persons with reduced physical, sensory or mental capabilities or lack of experience and knowledge if they have been given supervision or instruction concerning use of the appliance in a safe way and understand the hazards involved.
- Children should be supervised to ensure that they do not play with the appliance.
- Cleaning and user maintenance shall not be made by children without supervision.
- "CAUTION: Accessible parts may become hot when used with cooking appliances".

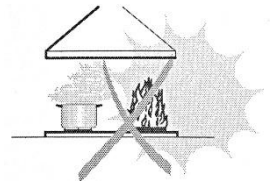


MAINTENANCE

- Switch off or unplug the appliance from the mains supply before carrying out any maintenance work.
- Clean and/or replace the Filters after the specified lime period (Fire hazard).
- Clean the hood using a damp cloth and a neutral liquid detergent.
- The appliance uses 4 hob elements at most.



The symbol  is packaging indicates that this product may not be treated as household waste. Instead it shall be handed over to the applicable collection point for the recycling of electrical and electronic equipment. By ensuring this product is disposed of correctly, you will help prevent potential negative consequences for the environment and human health, which could otherwise be caused by inappropriate waste handling of this product. For more detailed information about recycling of this product, please contact your local city office, your household waste disposal service or the shop where you purchased the product.

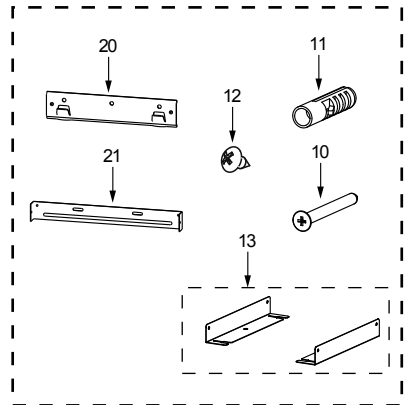
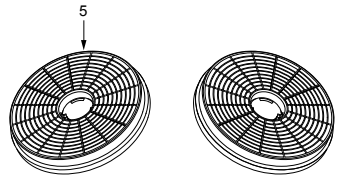
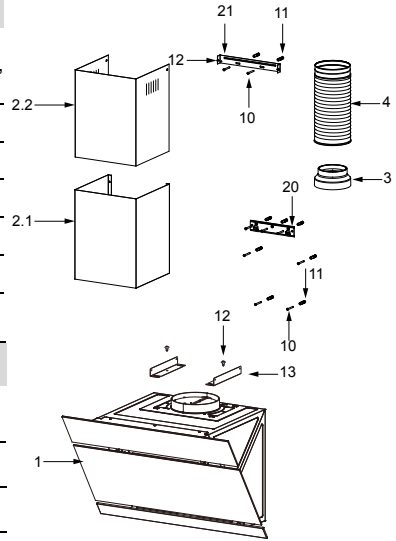


COMPONENTS

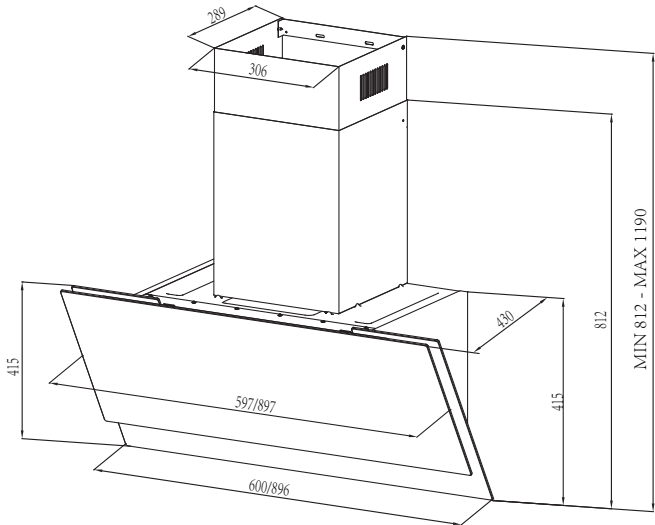
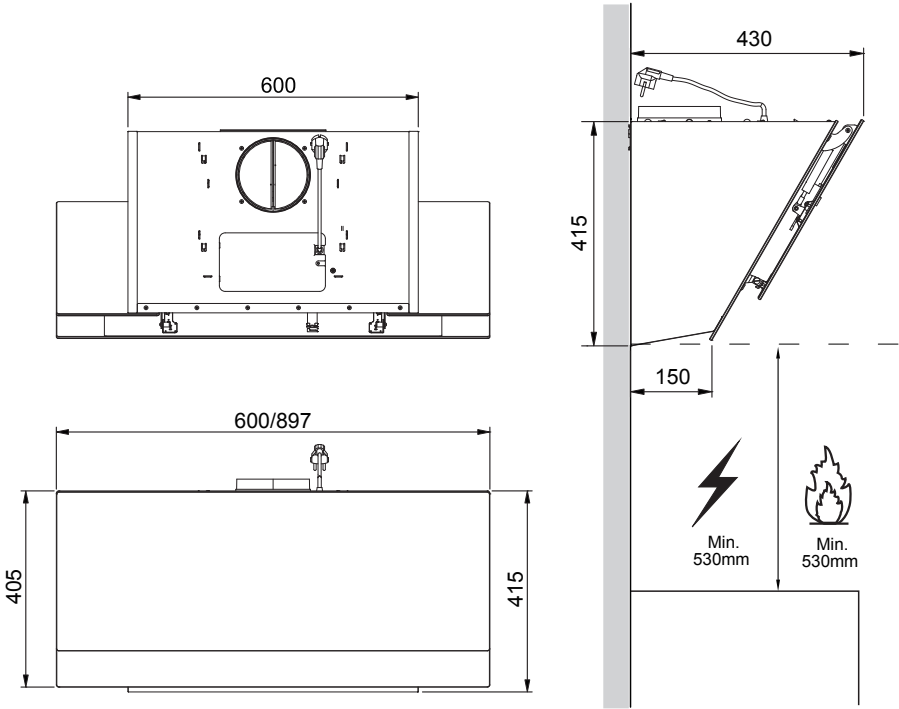
Ref.	Qty.	Product Components
1	1	Hood Body, complete with: Controls, Light, Blower, Filter.
2.1	1	Lower Decorative Chimney (optional)
2.2	1	Upper Decorative Chimney (optional)
3	1	Flange (optional)
4	1	Exhaust Pipe
5	2	The Activated Charcoal filter (optional)

Ref.	Qty.	Installation Components
10	7	Screws 5 x 50
11	7	Wall Plugs
12	6	Screws 4.2 x 9.5
13	2	Mounting Bracket
20	1	Hood fixing bracket (optional)
21	1	Chimney fixing bracket (0/1 optional)

Qty.	Documentation
1	Instruction Manual

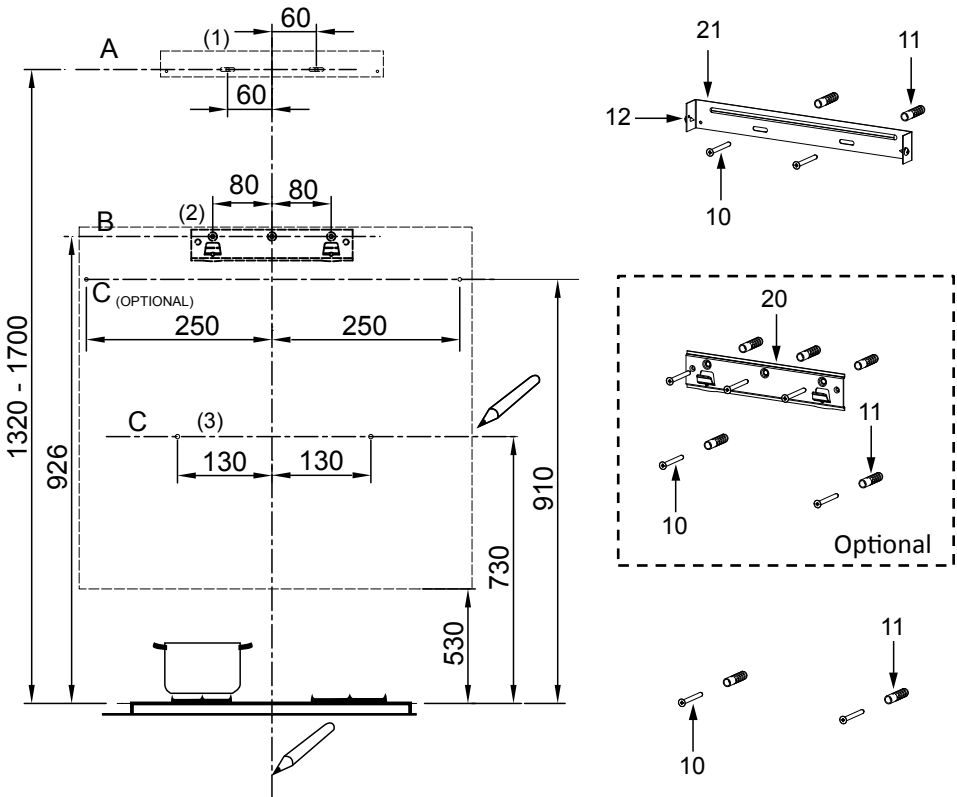


DIMENSIONS



INSTALLATION

WALL DRILLING AND BRACKET FIXING



As a first step, proceed with the following drawings:

- A vertical line up to the ceiling or up to the upper limit, at the center of the area in which the hood is to be fitted.
- A horizontal line **A** at **1320 – 1700** mm above the cooker top.
- A horizontal line **B** at a minimum **926** mm above the cooker top.
- A horizontal line **C** at a minimum **730 (910 optional)** mm above the cooker top.

Mark Points:

- Mark a point **(1)** on the horizontal line **A**, **60** mm to the right of the vertical reference line.
- Repeat this operation on the other side, checking that the two marks are leveled.
- Mark a point **(2)** on the horizontal line **B**, **80** mm to the right of the vertical reference line.
- Repeat this operation on the other side and on the vertical reference line, checking that the three marks are leveled.

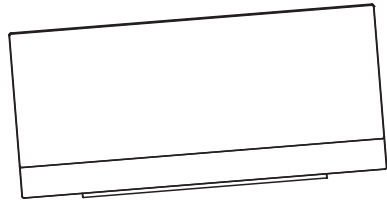
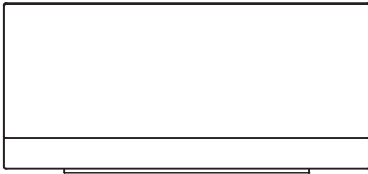
- Mark a point **(3)** on the horizontal line **C**, **130 (250 optional)** mm to the right of the vertical reference line.
- Repeat this operation on the other side, checking that the two marks are on the same horizontal line.

Fix the brackets (Optional):

- Drill at the marked points **(1) (2) (3)**, using a $\phi 10$ mm drill bit.
- Insert the Wall Plugs **11** into the holes **(1) (2) (3)**.
- Fix the hood fixing bracket **20** with 3 screws **10** (5 x 50) supplied with the hood.
- Fix a Chimney fixing bracket **21** with 2 screws **10** (5 x 50) supplied with the hood.

Hook the hood body:

- Open the panel.
- Remove the Metal grease filter using the handles provided.
- Hook the hood body to the bracket **20**.
- Level the hood body itself.



Right

Wrong

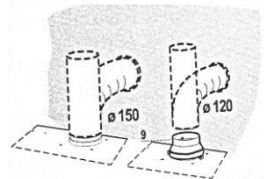
- From the inside of the hood body, fix the screws **10** to Wall Plugs **11** at the points **(3)**.
- Fit the filter into the hood.
- Close the panel.

CONNECTIONS

DUCTED VERSION AIR EXHAUST SYSTEM

When installing the ducted version, connect the hood to the chimney using either a flexible or rigid pipe $\phi 150$ or $\phi 120$ mm, the choice of which is left to the installer.

- To install a $\phi 120$ mm air exhaust connection, insert the reducer flange **3** on the hood body outlet.
- Fix the pipe **4** in position using sufficient pipe clamps (not supplied).
- Remove possible charcoal filters.

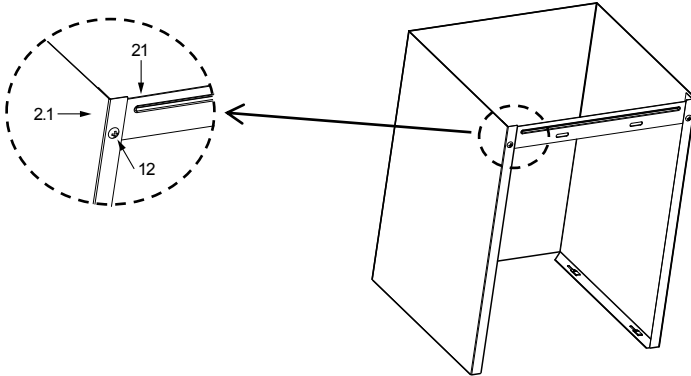


CHIMNEY ASSEMBLY

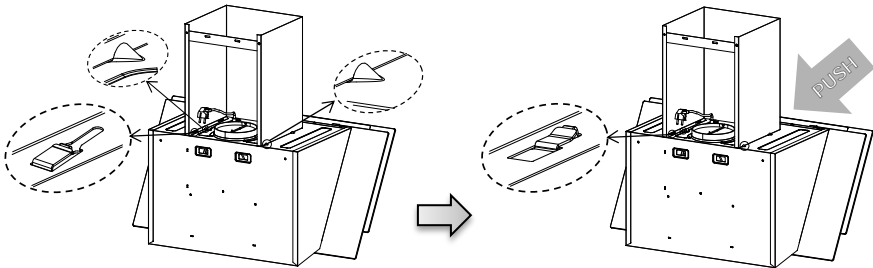
The chimney can only be installed with exhausting hood.

Lower Decorative Chimney

- Fix a Chimney fixing bracket **21** onto the Lower Decorative Chimney with 2 screws **12** (4.2 x 9.5) supplied with the hood.

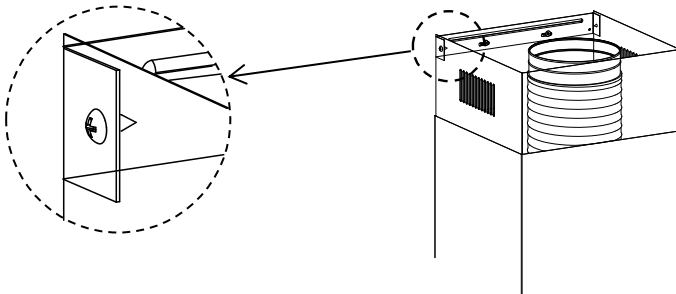


- Slightly widen the two sides of the flue and hook them onto the hood body, making sure that they are well seated.



Upper Decorative Chimney

- Slightly widen the two sides of the upper chimney and hook them between the wall and the bracket **21** which is fixed on the Lower Decorative Chimney.
- Fix the upper chimney onto the bracket **21** with 2 screws **12** (4.2 x 9.5) supplied with the hood.



USE

CONTROL PANEL



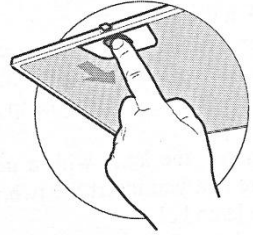
Button	Function	Remarks
	Turns the Motor ON.	When is off.
	Enable shutdown the Motor with a 3 minutes delay meanwhile flashes.	When is on.
	Turns the Motor OFF.	When is flashing.
	Turns the Motor on at speed Low.	Buttons + are on.
	Turns the Motor on at speed Medium.	Buttons + are on.
	Turns the Motor on at speed High.	Buttons + are on.
	Turns the Lighting System on and off at maximum intensity.	Button on.
B	Turns the Motor on at speed BOOST.	Buttons + B are on.

MAINTENANC

GREASE FILTERS

CLEANING METAL SELF-SUPPORTING GREASE FILTERS

- The filters must be cleaned every 2 months of operation, or more frequently for particularly heavy usage, and can be washed in a dishwasher.
- Pull the comfort panels to open them.
- Remove the filters one by one pushing them towards the back side of the hood unit and simultaneously pulling downwards.
- Any kind of bending of the filters has to be avoided when washing them. Before fitting them again into the hood make sure that they are completely dry. (The color of the filter surface may change throughout the time but this has no influence to the filter efficiency).
- When fitting the filters into the hood pay attention that they are mounted in correct position the handle facing outwards.
- Close the comfort panel.

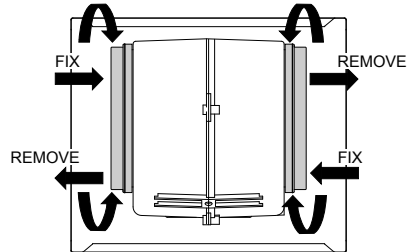


ACTIVATED CHARCOAL FILTER (RECIRCULATION VERSION)

These filters are not washable and cannot be regenerated, and must be replaced approximately every 4 months of operation, or more frequently with heavy usage.

REPLACING THE ACTIVATED CHARCOAL FILTER

- Open the comfort panels pulling them downwards.
- Remove the metal grease filters
- Remove the saturated activated charcoal filter.
- Fit the new filters.
- Replace the metal grease filters.
- Close the comfort panel




LIGHTING

LIGHT REPLACEMENT

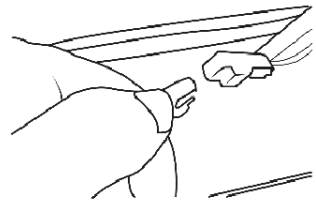
1.5W LED light.

- Switch off the extractor hood and isolate the extractor hood by pulling out the mains plug or switching off the fuse.
- Remove the grease filter.
- Remove the light by levering its fitting from the hood body (this may require pressure or force to be applied).

	Max Power	Voltage	Picture	Lamp Cap	ILCOS D code
Round/ Diameter : 70mm	1.5W	DC 12 V		---	DSR-1.5-S-70



- Disconnect the connector of the light.
- Replace the light with a new one of the same type, making sure that you connect the light with the light cable correctly.
- Reinstall the light back to the hood body.



DISPOSAL OF OLD ELECTRICAL APPLIANCES



The European directive 2012/19/EU on Waste Electrical and Electronic Equipment (WEEE), requires that old household electrical appliances must not be disposed of in the normal unsorted municipal waste stream. Old appliances must be collected separately in order to optimize the recovery and recycling of the materials they contain, and reduce the impact on human health and the environment.

The crossed out "wheeled bin" symbol on the product reminds you of your obligation, that when you dispose of the appliance, it must be separately collected.

Consumers should contact their local authority or retailer for information concerning the correct disposal of their old appliance.

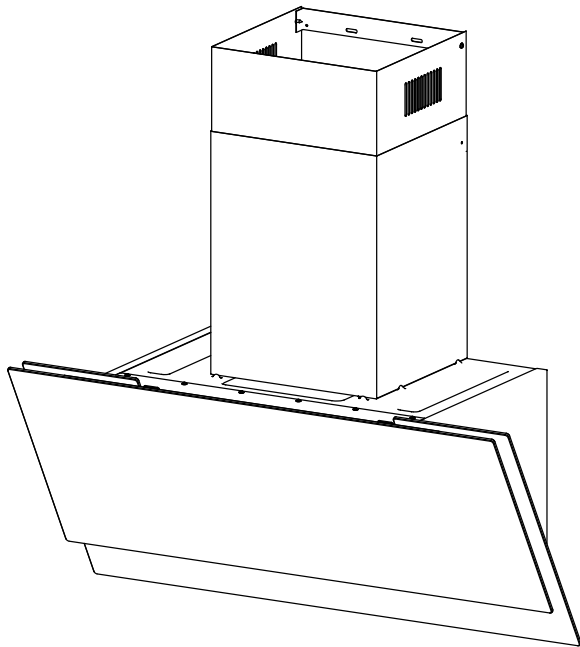
TROUBLE SHOOTING

Fault	Cause	Solution
Light on, but motor does not work	The blades are blocked.	
	The capacitor is damaged.	Replace capacitor.
	The motor is damaged.	Replace motor.
	The internal wiring of motor is cut off/ disconnected. An unpleasant smell may be produced.	Replace motor.
Both light and motor do not work	Apart from the above mentioned, check the following:	
	Light damaged.	Replace lights.
	Power cord loose.	Connect the wires as per the electric diagram.
Oil leakage	Outlet and the air ventilation entrance are not tightly sealed.	Take down the outlet and seal with glue.
	Leakage from the connection of U-shaped section and cover.	Take U-shaped section down and seal with soap or paint.
Vibration	The blade, if damaged, can cause vibrating.	Replace the blade.
	The motor is not tightly fastened.	Fasten the motor tightly.
	The cooker hood is not tightly fixed.	Fixed the cooker hood tightly.
Insufficient suction	The distance between the cooker hood and the cooker top is too large.	Readjust the distance.
	Too much ventilation from open doors or windows.	Choose a new place to install the appliance or close some doors / windows.
The machine inclines	The fixing screws are not tight enough.	Tighten the fixing screw and make it horizontal.
	The hanging screws are not tight enough	Tighten the hanging screw and make it horizontal.

svan


MANUAL DE USUARIO CAMPANA EXTRACTORA

SCPD600AN
SCPD600AB
SCPD900AN
SCPD900AB



Lea atentamente este manual y guárdelo para futuras consultas.

RECOMENDACIONES Y SUGERENCIAS

 Las instrucciones de uso se aplican a varias versiones de este dispositivo. En consecuencia, puede encontrar descripciones de características individuales que no se aplican a su dispositivo.

INSTALACIÓN


- El fabricante no se hace responsable de los daños resultantes de una instalación incorrecta
- La distancia de seguridad mínima entre la parte superior de la cocina y la campana extractora es de 650 mm (algunos modelos se pueden instalar a una altura más baja; consulte los párrafos sobre dimensiones de trabajo e instalación).
- La corriente eléctrica corresponde a la indicada en la placa de características fijada en el interior de la campana.
- Para los electrodomésticos Clase I, verifique que la fuente de alimentación doméstica garantice una conexión a tierra adecuada.
- Conecte el extractor a la chimenea a través de una tubería de diámetro mínimo 120 mm. La ruta de la chimenea debe ser lo más corta posible.
- No conecte la campana extractora a los conductos de escape que transportan canales de combustión (calderas, chimeneas, etc.).
- Si el extractor se usa junto con aparatos no eléctricos (por ejemplo, aparatos de gas), se debe garantizar un grado suficiente de aireación en la habitación para evitar el flujo de retorno del gas. La cocina debe tener una abertura que se comuniquen directamente con el aire libre para garantizar la entrada de aire limpio.
- Cuando la campana extractora se usa junto con electrodomésticos que reciben energía que no sea eléctrica, la presión negativa en la habitación no debe exceder los 0,04 mbar para evitar que la campana extraiga los humos.
- En caso de daños en el cable de alimentación, debe ser reemplazado por el fabricante o por el departamento de servicio técnico, para evitar riesgos.
- Si las instrucciones para la instalación de la placa de gas señalan una distancia mayor a la especificada anteriormente, esto debe tenerse en cuenta. Deben cumplirse las normas relativas a la descarga de aire.

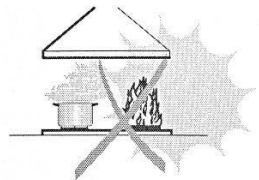
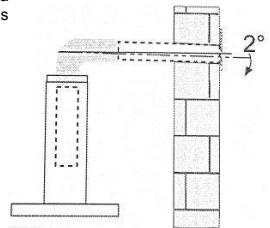
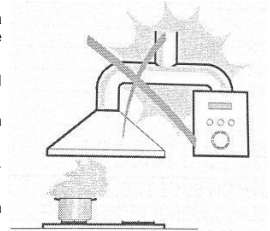
USO

- La campana extractora ha sido diseñada exclusivamente para uso doméstico con el objetivo de eliminar los olores de la cocina.
- Nunca use la campana para otros propósitos que no sean para los cuales ha sido diseñada.
- Nunca deje llamas altas debajo de la campana cuando esté en funcionamiento. Ajuste la intensidad de la llama para dirigirla solo al fondo de la sartén, asegurándose de que no envuelva los lados.
- Las freidoras de grasa deben controlarse continuamente durante el uso: el aceite sobrecalentado puede estallar en llamas.
- Este equipo puede ser utilizado por niños a partir de 8 años y personas con capacidades físicas, sensoriales o mentales reducidas o falta de experiencia y conocimiento si se les ha dado supervisión o instrucciones sobre el uso del aparato de manera segura y entienden el peligro involucrados.
- Los niños deben ser supervisados para asegurarse de que no jueguen con el equipo.
- La limpieza y el mantenimiento del usuario no deben ser realizados por niños sin supervisión.
- "PRECAUCIÓN: Algunas partes de este electrodoméstico pueden calentarse".

MANTENIMIENTO

- Apague o desenchufe el equipo de la red eléctrica antes de realizar cualquier trabajo de mantenimiento.
- Limpie y/o reemplace los filtros después del período de calentamiento (peligro de incendio).
- Limpie la campana con un paño húmedo y un detergente líquido neutro.
- El equipo utiliza 4 elementos de placa como máximo.

 indica que este producto no puede ser tratado como basura doméstica. En su lugar, se entregará al punto de recogida correspondiente para el reciclaje de equipos eléctricos y electrónicos. Al garantizar que éste se elimine correctamente, ayudará a prevenir posibles consecuencias negativas para el medio ambiente, que de otro modo podrían ser causadas por el manejo inadecuado de los residuos de este producto. Para obtener información más detallada sobre el reciclaje del mismo, comuníquese con su oficina local de la ciudad, su servicio de eliminación de desechos domésticos o la tienda donde compró el producto.

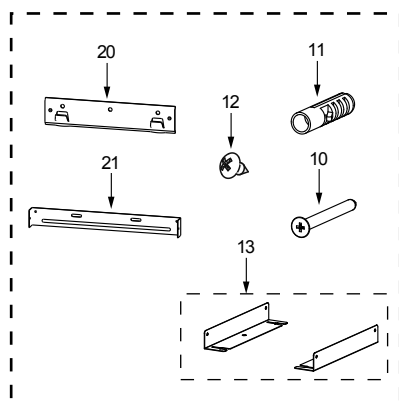
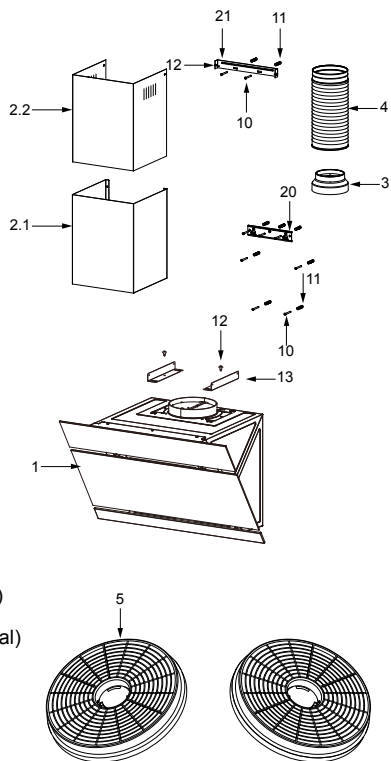


COMPONENTES

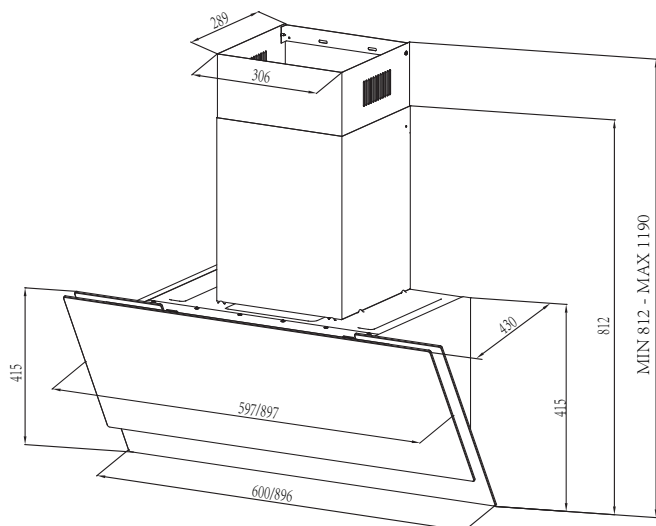
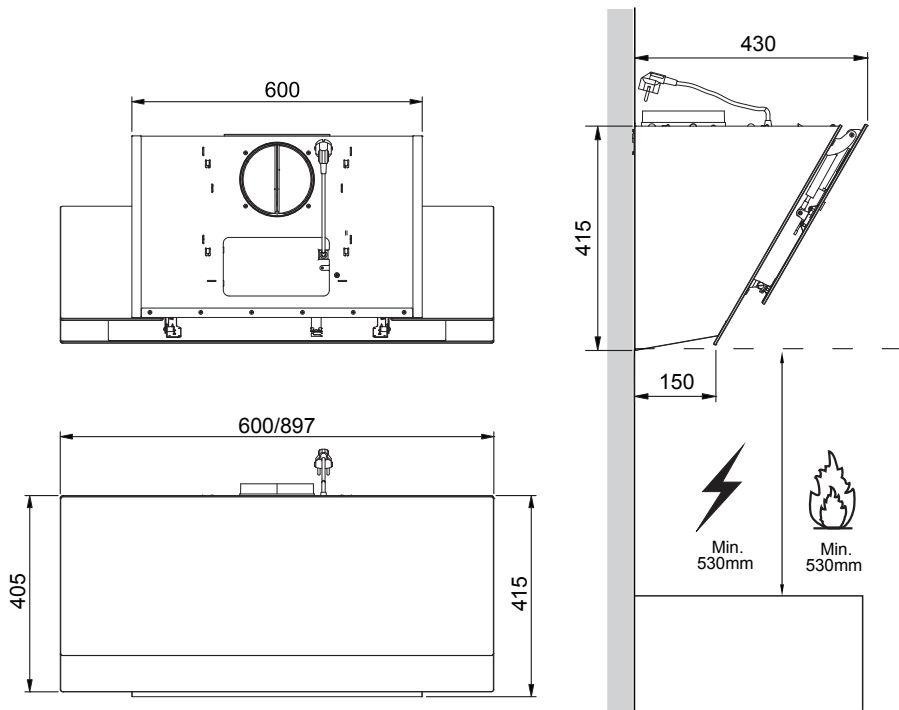
Ref.	Unid.	Componentes del producto
1	1	Cuerpo de la campana, completo con: controles, luz, soplador, filtro.
2.1	1	Chimenea decorativa inferior (opcional)
2.2	1	Chimenea decorativa superior (opcional)
3	1	Brida (opcional)
4	1	Tubo de escape
5	2	El filtro de carbón activado (opcional)

Ref.	Unid.	Componentes de instalación
10	7	Tornillos 5 x 50
11	7	Ramplug
12	6	Tornillos 4.2 x 9.5
13	2	Soporte de montaje
20	1	Soporte de fijación de la campana (opcional)
21	1	Soporte de fijación de chimenea (0/1 opcional)

Unid.	Documentación
1	Manual de instrucciones

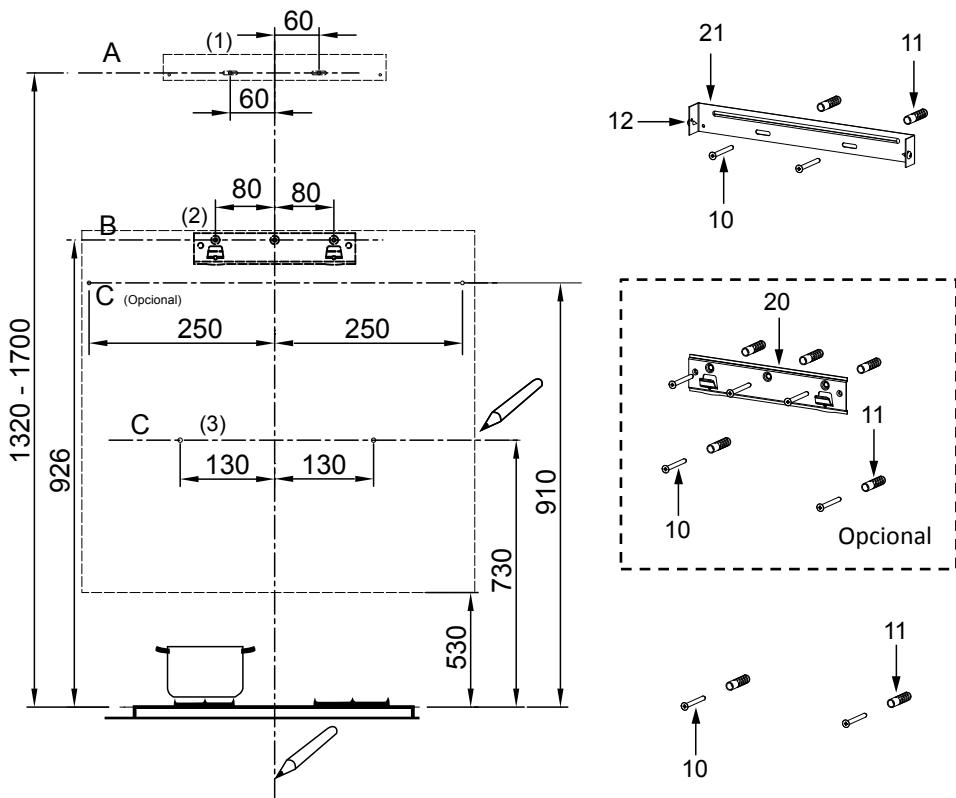


DIMENSIONES



INSTALACIÓN

PERFORACIÓN DE PARED Y FIJACIÓN DE SOPORTE



Como primer paso, proceda con los siguientes dibujos:

- Una línea vertical hasta el techo o hasta el límite superior, en el centro del área en la que se colocará la campana.
- Una línea horizontal A a 1320 - 1700 mm por encima de la parte superior de la cocina.
- Una línea horizontal B a un mínimo de 926 mm por encima de la parte superior de la cocina.
- Una línea horizontal C a un mínimo de 730 (910 opcional) mm por encima de la parte superior de la cocina.

● Puntos de marca:

- Marque un punto (1) en la línea horizontal A, 60 mm a la derecha de la línea de referencia vertical.
- Repita esta operación en el otro lado, verificando que las dos marcas estén niveladas.
- Marque un punto (2) en la línea horizontal B, 80 mm a la derecha de la línea de referencia vertical.
- Repita esta operación en el otro lado y en la línea de referencia vertical, verificando que se nivelan tres marcas.

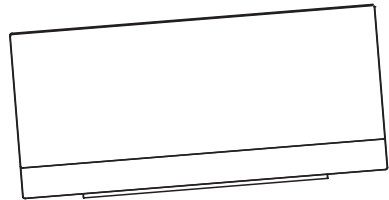
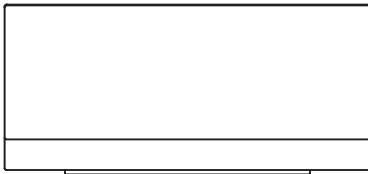
- Marque un punto (3) en la línea horizontal C, 130 (250 opcional) mm a la derecha de la vertical línea de referencia.
- Repita esta operación en el otro lado, verificando que las dos marcas estén en la misma línea horizontal.

Arregle los corchetes (Opcional):

- Perfore en los puntos marcados (1) (2) (3), utilizando una broca de $\phi 10$ mm.
- Inserte los ramplug 11 en los agujeros (1) (2) (3).
- Coloque el soporte de fijación de la campana 20 con 3 tornillos 10 (5 x 50) suministrados con la campana.
- Coloque un soporte de fijación de chimenea 21 con 2 tornillos 10 (5 x 50) suministrados con la campana

Enganche el cuerpo del capó:

- Abra el panel.
- Retire el filtro de grasa de metal con los mangos provistos.
- Enganche el cuerpo de la campana al soporte 20.
- Nivele el cuerpo de la campana.



Correcto

Incorrecto

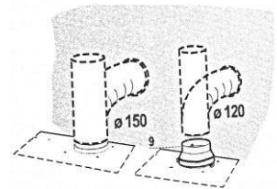
- Desde el interior del cuerpo de la campana, fije los tornillos 10 a los enchufes de pared 11 en los puntos (3).
- Coloque el filtro en la campana.
- Cerrar el panel.

CONEXIONES

VERSIÓN CON CONDUCTO DE SISTEMA DE ESCAPE DE AIRE

Al instalar la versión con conductos, conecte la campana a la chimenea utilizando un tubo flexible o rígido de $\phi 150$ o $\phi 120$ mm, cuya elección se deja al instalador.

- Para instalar una conexión de escape de aire de $\phi 120$ mm, inserte la brida reductora 3 en la salida del cuerpo de la campana.
- Fije la tubería 4 en su posición usando suficientes abrazaderas (no incluidas).
- Eliminar posibles filtros de carbón.

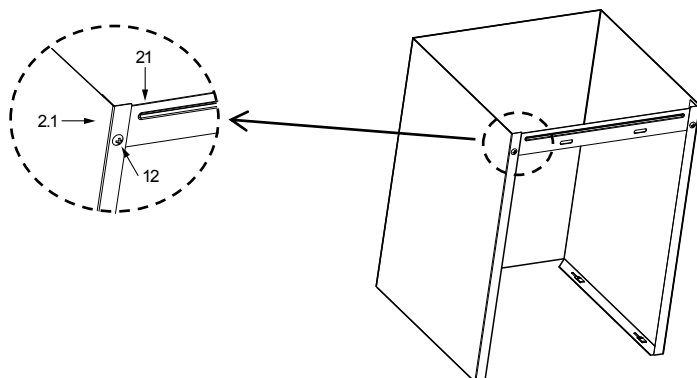


ENSAMBLE DE CHIMENEA

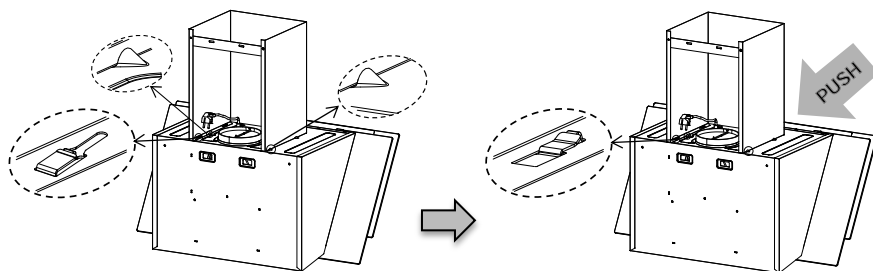
La chimenea solo se puede instalar con campana extractora.

Chimenea decorativa inferior

- Coloque un soporte de fijación de chimenea 21 en la chimenea decorativa inferior con 2 tornillos 12 (4.2 x 9.5) suministrados con la campana.

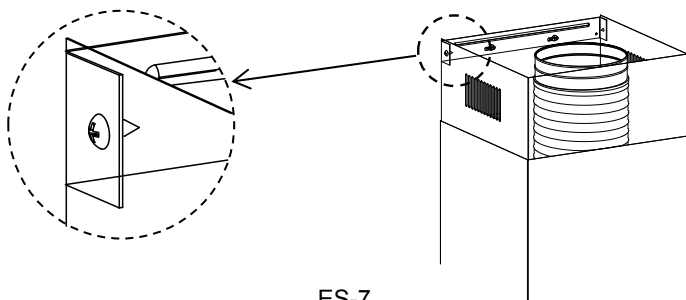


- Ensanche ligeramente los dos lados de la chimenea y engánchelos al cuerpo de la campana, comprobando que están bien asentados.



Chimenea decorativa superior

- Ensanche ligeramente los dos lados de la chimenea superior y engánchelos entre la pared y el soporte 21 que está fijado en la chimenea decorativa inferior.
- Fije la chimenea superior en el soporte 21 con 2 tornillos 12 (4.2 x 9.5) suministrados con la campana



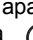

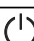













PANEL DE CONTROL



B



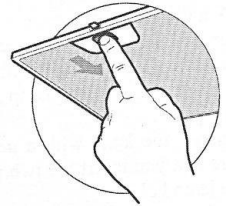
Botón	Función	Notas
	Enciende el motor.	Cuando  está apagado.
	Permitir el apagado del motor con unos 3 mns. de demora  mientras parpadea.	Cuando  está encendido.
	Apaga el Motor.	Cuando  está parpadeando.
	Encender el Motor a Baja velocidad.	Botones  +  son para encender.
	Encender el Motor a Media velocidad.	Botones  +  son para encender.
	Encender el Motor a Alta velocidad.	Botones  +  son para encender.
	Apagar/encender el Sistema de luz a su máxima intensidad.	Botón de encendido.
B	Encender el motor en aumento velocidad.	Botones  + B son para encender.

MANTENIMIENTO

FILTROS DE GRASA

LIMPIEZA

- Luego de la instalación, los filtros se deben limpiar cada 2 meses
- Presione los paneles de confort para abrirlos.
- Retire los filtros uno por uno empujándolos hacia la parte posterior de la unidad de la campana y presione simultáneamente hacia abajo.
- Se debe evitar cualquier tipo de flexión de los filtros al lavarlos. Antes de volver a colocarlos en la campana, asegúrese de que estén completamente secos. Nota: El color de la superficie del filtro puede cambiar a lo largo del tiempo, pero esto no influye en la eficiencia del filtro.
- Al colocar los filtros en la campana, preste atención a que estén montados en la posición correcta con la manija hacia afuera.

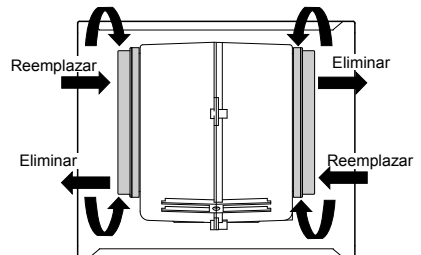


FILTRO DE CARBÓN ACTIVADO (VERSIÓN DE RECIRCULACIÓN)

Estos filtros no son lavables y no pueden regenerarse, y deben reemplazarse aproximadamente cada 4 meses de operación, o más frecuentemente con un uso intensivo.

REEMPLAZO DEL FILTRO DE CARBÓN ACTIVADO

- Abra los paneles de control presionando de ellos hacia abajo.
- Retire los filtros de grasa metálicos
- Retire el filtro de carbón activado saturado.
- Montar los nuevos filtros.
- Reemplace los filtros de grasa de metal.
- Cerrar el panel de control.




ILUMINACIÓN

REEMPLAZO DE LUZ

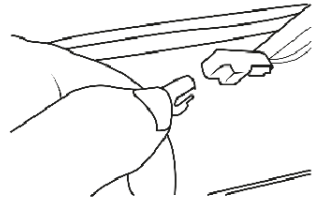
Luz LED de 1.5W.

- Apague la campana extractora y aislela sacando el enchufe de la red o apagando el fusible.
- Retire el filtro de grasa.
- Retire la luz haciendo presión en el cuerpo de la campana (esto puede requerir presión o fuerza para aplicar).

	Max. Poder	Voltaje	Figura	Lamp Cap	ILCOS D code
Redonda/ Diámetro: 70mm	1.5W	DC 12 V		/	DSR-1.5-S-70



- Desconecte el conector de la luz.
- Reemplace la luz con una nueva del mismo tipo, asegurándose de conectar la luz con el cable de luz correctamente
- Vuelva a instalar la luz en el cuerpo de la campana.



ELIMINACIÓN DE ANTIGUOS APARATOS ELÉCTRICOS



La directiva europea 2012/19/UE sobre residuos de aparatos eléctricos y electrónicos (RAEE) exige que los aparatos eléctricos domésticos antiguos no se eliminen en el flujo normal de residuos municipales sin clasificar. Los electrodomésticos viejos se deben recolectar por separado para optimizar la recuperación y el reciclaje de los materiales que contienen y reducir el impacto en la salud humana y el medio ambiente. El símbolo de "contenedor con ruedas" en el producto le recuerda su obligación, que cuando deseche el electrodoméstico, debe recolectarse por separado. Los consumidores deben comunicarse con su autoridad local o minorista para obtener información sobre la eliminación correcta de su antiguo electrodoméstico.

SOLUCIÓN DE PROBLEMAS

Falla	Causa	Solución
La luz enciende, pero el motor no enciende	Las aspas están trancadas	Revise las aspas
	El capacitor está dañado	Reemplace el capacitor.
	El motor está dañado	Reemplace el motor.
	El cableado interno del motor está desconectado. Puede producirse un mal olor	Reemplace el motor.
Además de lo mencionado anteriormente, verifique lo siguiente:		
Ni las luces ni el motor funcionan	La luz puede estar dañada.	Reemplace las luces.
	El cable de poder está desconectado.	Conecte los cables según el diagrama de cableado
Fuga de aceite	La salida y la entrada de ventilación de aire no están bien selladas.	Baje la salida y selle con pegamento.
Vibración	El aspa, si está dañada, puede causar vibraciones.	Reemplace el aspa.
	El motor no está bien sujeto.	Sujete el motor.
	La campana no está bien fija.	Fije bien la campana extractora.
Succión insuficiente	Mucha distancia entre la campana y la parte superior de la cocina.	Reajuste la distancia
	Demasiada ventilación de puertas o ventanas abiertas.	Cierre puertas y ventanas, o instale el equipo en otra locación.
El equipo se inclina.	Los tornillos de fijación no están lo suficientemente apretados.	Aprete el tornillo hasta que el equipo esté horizontal.
	Los tornillos colgantes no están lo suficientemente apretados.	Aprete los tornillos colgantes hasta que el equipo quede horizontal.



SVAN TRADING S.L.

C/Ciudad de Cartagena, 20. Paterna (46988). SPAIN.

info@svanelectro.com

96060034